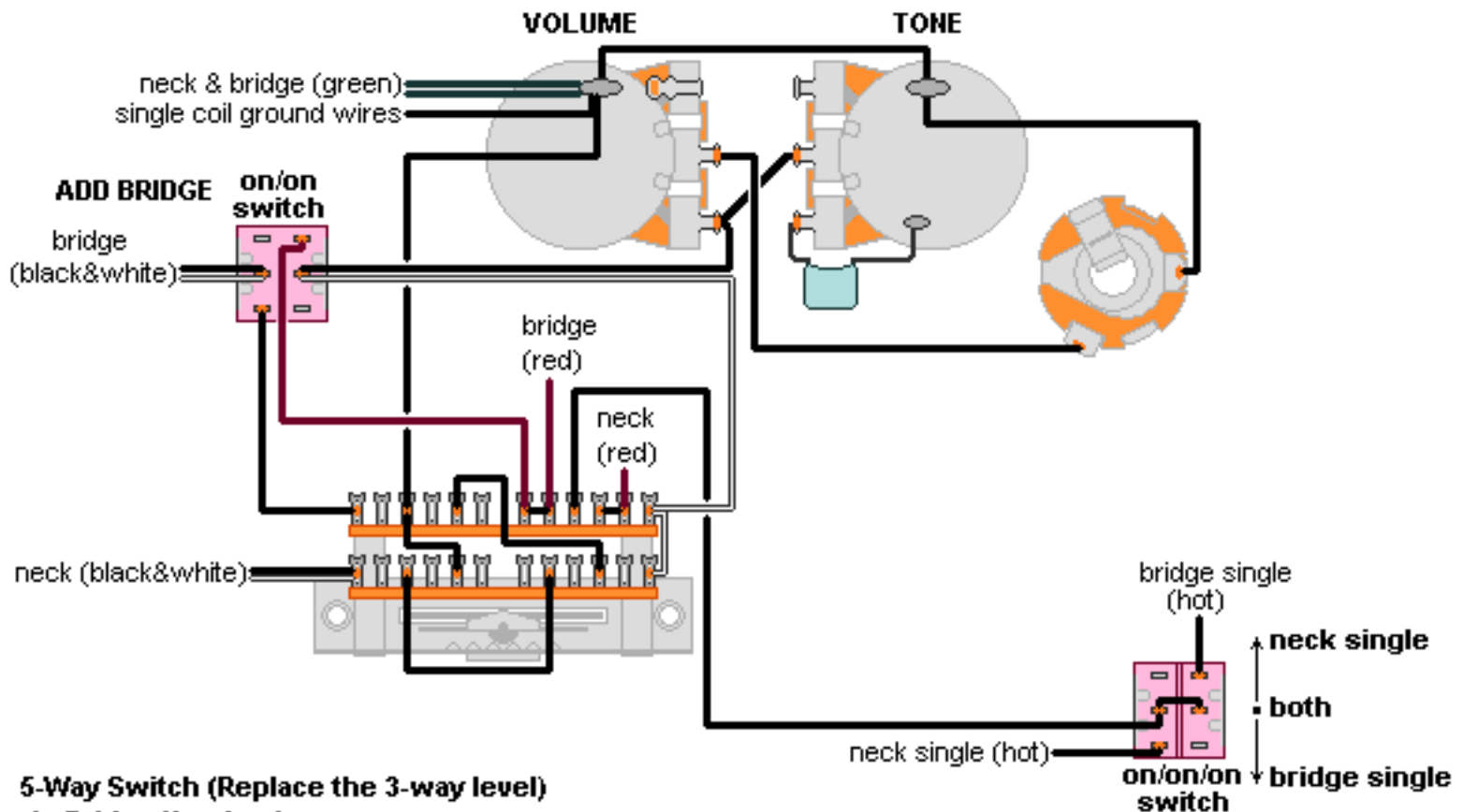


**DiMarzio, Inc.**

1388 Richmond Terrace, PO Box 100387, Staten Island, NY 10310, Tel(718)981-9286, Fax(718)720-5296

## STEVE MORSE GUITAR



### 5-Way Switch (Replace the 3-way level)

1. Bridge Humbucker
2. Inside Bridge and Neck Coils
3. Activate 3-way Toggle
4. Outside Bridge and Neck Coils
5. Neck Humbucker

**Note: Tailpiece should be connected to common ground.  
All grounds  $\perp$  must be connected.**

Copyright (C) 2003 DiMarzio, Inc. All rights reserved