

To Bridge GROUND

Red (M+)
Black (N-)
White (S+)
Green (S-)

DIMARZIO
HUMBUCKER



BRIDGE
V2

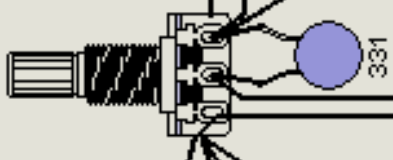


1 2 3 4 5

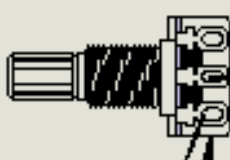
Series Parallel



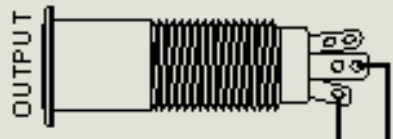
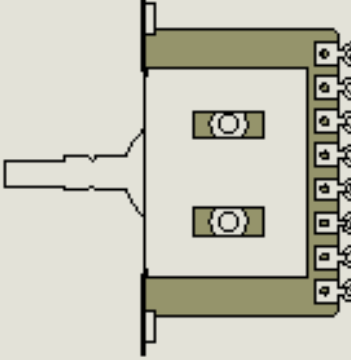
VOLUME
500Kohm G



TO NE
500Kohm D



SC-SWITCH FOR 2HUM
NECK ← BRIDGE



MODEL NUMBER	MODEL NAME	APPROVED BY	CHECKED BY	DRAWING BY	SCALE
SC-2H	SC620, SC420			A. M.	
HOSHINO GAKKI CO., LTD. No. 22, 3-CHOME, SHUHO-KU-CHO, HIRASHI-KU, NAGOYA, JAPAN TEL: 052-531-0034 FAX: 052-531-4729			DRAWING NUMBER	DATE	SIZE
			W097032	'97/02/05	A4