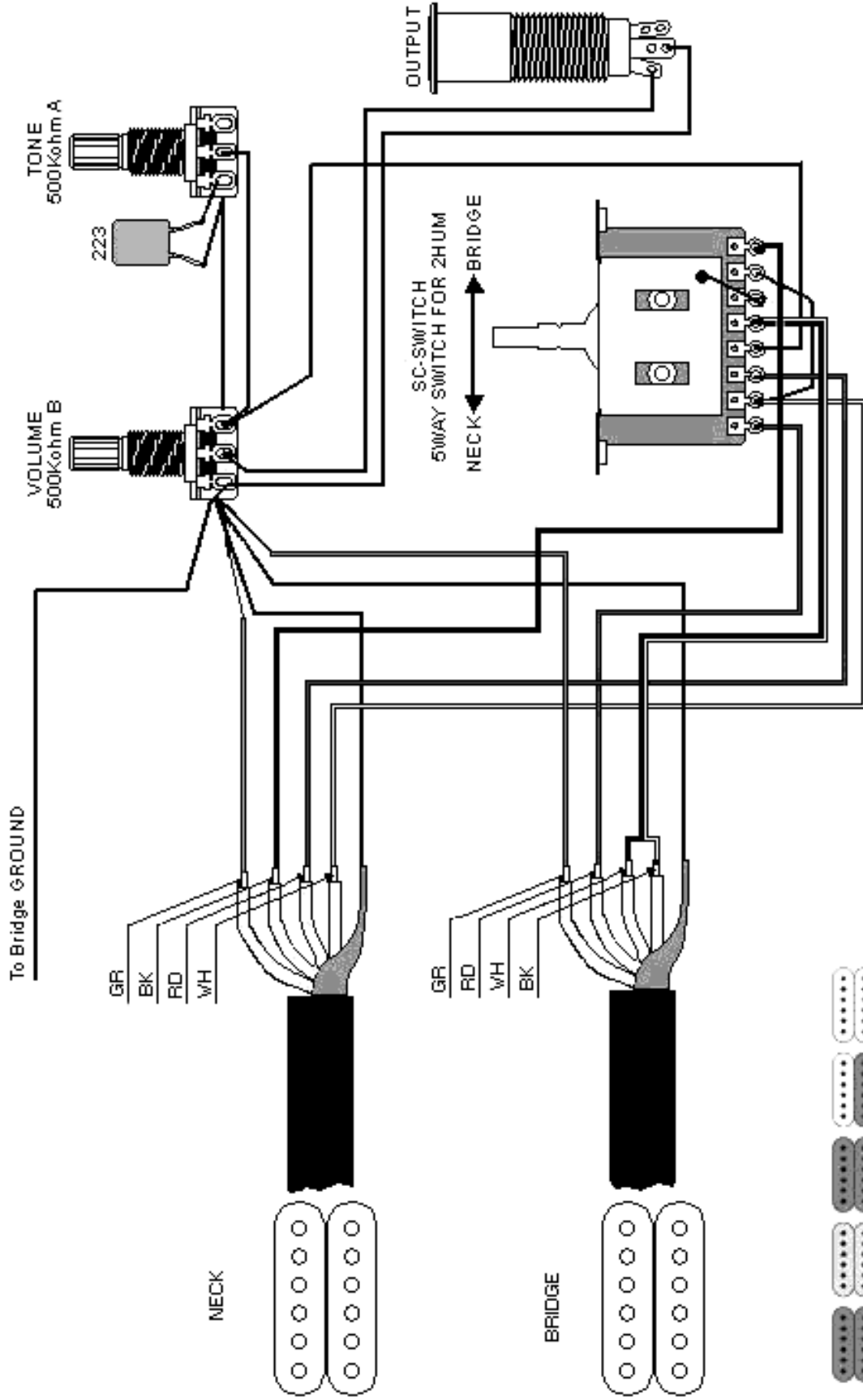


## 2 DiMarzio humbuckers



Drawing Number	Model Number	Switch Function	Drawing by	Date
W04013W	SA-2HUM	SPLIT-5(H-H)	Y.Ozzy	05/OCT/03
				Memo
				World / Matt Finish PU

**HOSHINO GAKKI CO., LTD.**  
 No.22,3-CHOME, SHIMOKIUCHI, HIGASHI-KU, NAGOYA, JAPAN  
 TEL.052-901-4086 FAX.052-907-4729