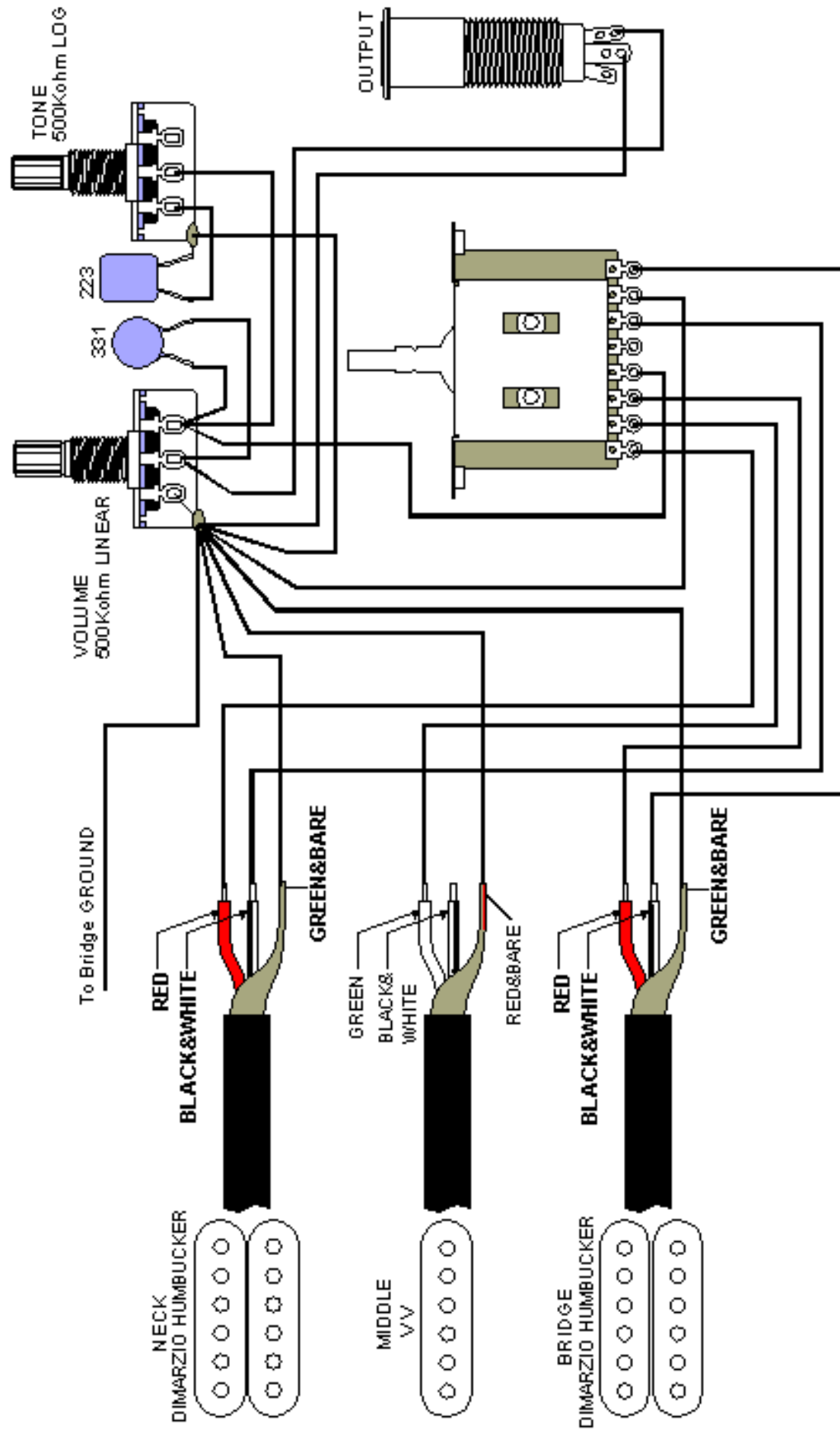


2 DIMARZIO HUMBUCKERS, 1 HS/VV MIDDLE PICKUP



MODEL NUMBER	MODEL NAME	APPROVED BY	CHECKED BY	DRAWING BY	SCALE
SP5-K/C				A. M.	
HOSHINO GAKKI CO., LTD. No. 22, 3-C HOME, SHIMOKU-CHO, HIGASHI-KU, NAGOYA, JAPAN TEL: 052-531-0034 FAX: 052-531-4729		DRAWING NUMBER	DATE	SIZE	
		W097043	'97/02/09	A4	

RG170, RG270, RG270DX, RG270R,
RG450DX, RG470, RG470FMR, RG470L,
RX170D, S470, S270