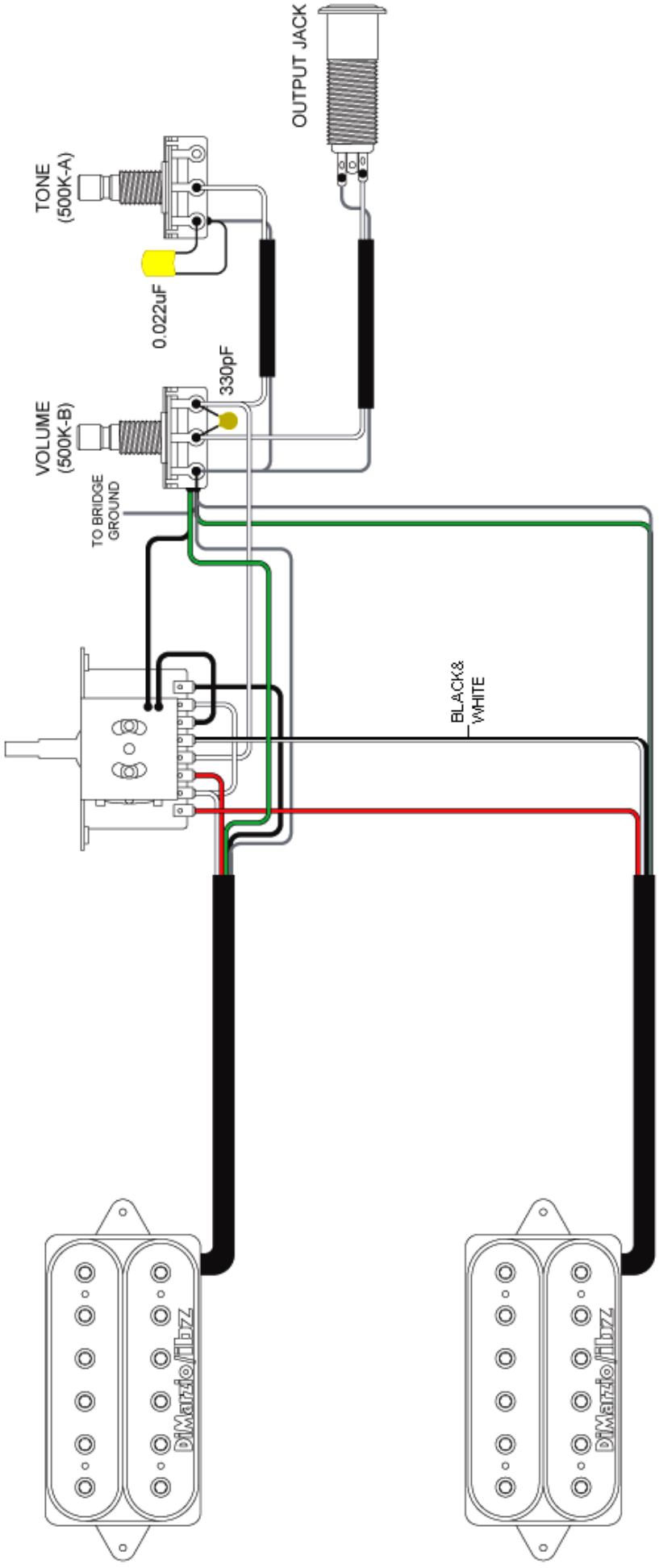
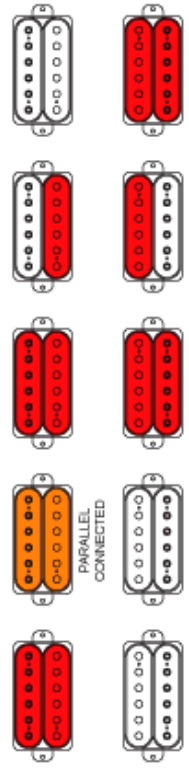


NECK ← BRIDGE



NECK ← BRIDGE



PARALLEL CONNECTED

TITLE

WIRING DIAGRAM

DRAWN

DATE

JUL 31 2005

MODEL

RG2620E-CBK-00-02

