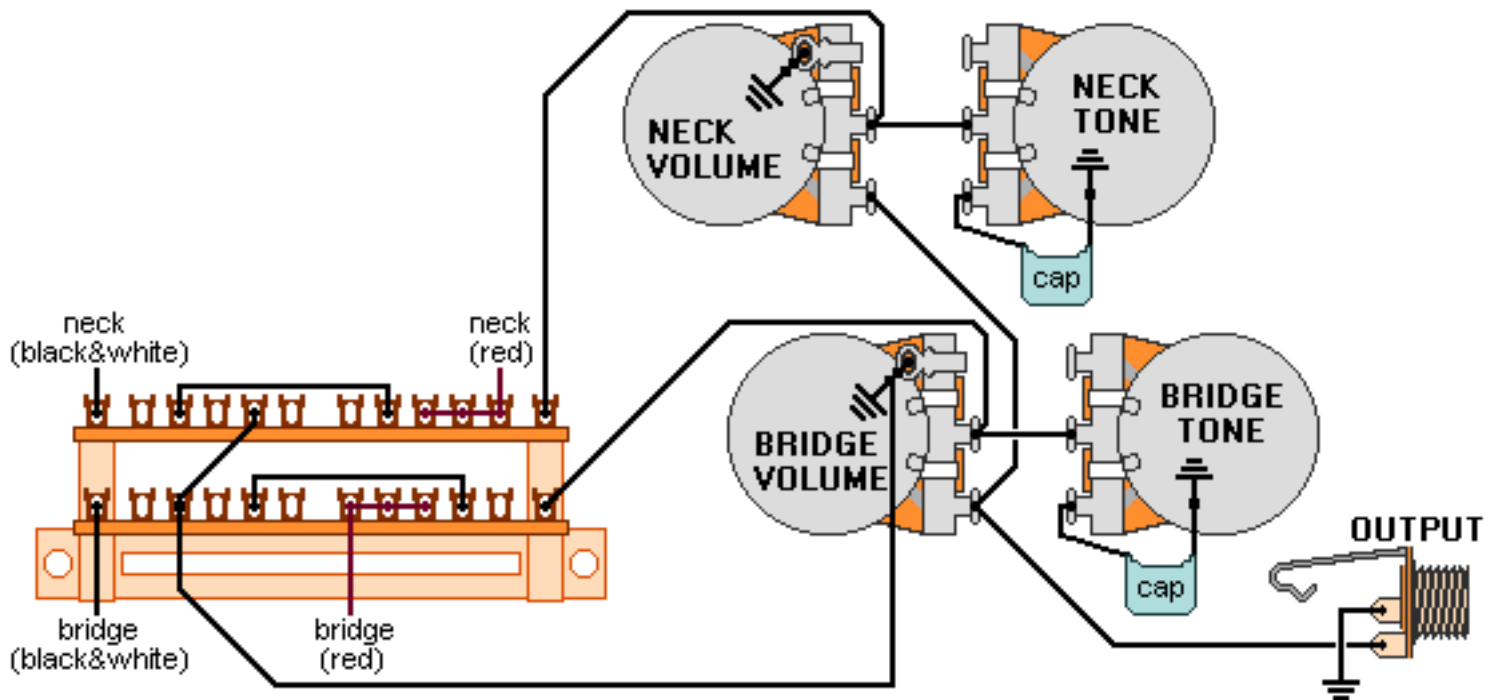


DiMarzio, Inc.

1388 Richmond Terrace, PO Box 100387, Staten Island, NY 10310, Tel(718)981-9286, Fax(718)720-5296

2 HUM, EP1112, 2 VOL., 2 TONE



Both pickups should be placed with their cable exits toward the controls.

1. neck
2. bridge/neck (outside coils)
3. bridge & neck
4. bridge/neck (inside coils)
5. bridge

All other pickup wires not shown or mentioned go to ground.

Note: Tailpiece should be connected to common ground.

All grounds \perp must be connected.

Copyright (C) 2003 DiMarzio, Inc. All rights reserved