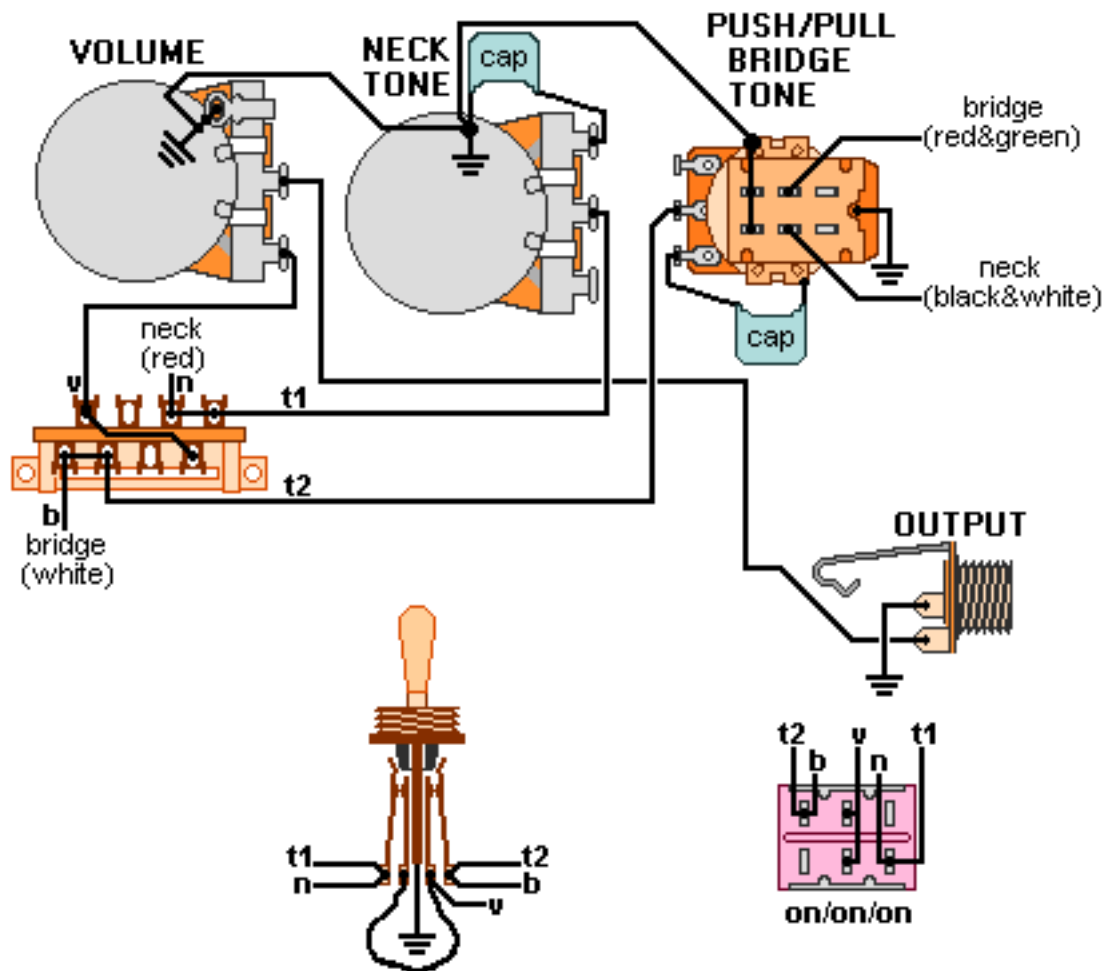


DiMarzio, Inc.

1388 Richmond Terrace, PO Box 100387, Staten Island, NY 10310, Tel(718)981-9286, Fax(718)720-5296

3 WAY, 2 HUM, 1 VOL., 2 TONE WIRING



Solder the black and bare wires from the bridge pickup and the green and bare wires from the neck pickup to ground.

All other pickup wires not shown or mentioned go to ground.

Note: Tailpiece should be connected to common ground.

All grounds \perp must be connected.

Copyright (C) 2003 DiMarzio, Inc. All rights reserved